

SMITH CARREL, INC.

Call Toll Free 1-877-410-6994 or Fax 972-272-7208

30" Deep Modular Computer Carrels



Shown: 01385D Starter

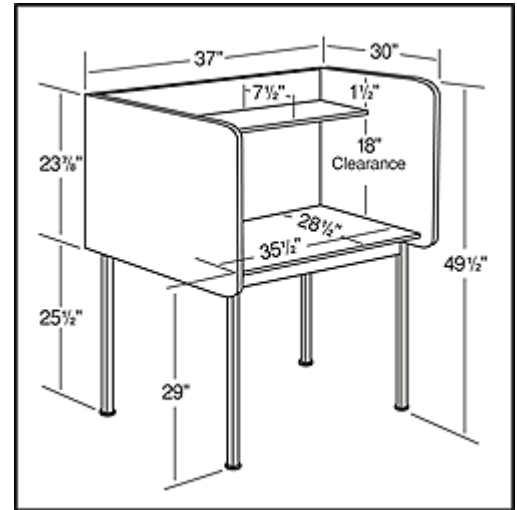
- 18" clearance under the shelf to accommodate large monitors!
- Includes wiring grommet - 3" size



Click on any photo to enlarge!



Print this page!



Modular Computer Carrel Dimensions

Overall: 30"D x 37"W

Freight Class: 70

Shipping Location: 75042



Shown: 01385D Starter with optional 01530 20" Keyboard Tray and opt. 01531 CPU Holder

MODEL NUMBERS

Adjustable height or fixed height models available!

Adjustable Height: 24"-29"

| | |
|----------------------|-------------|
| 01385 Starter | |
| Weight: | 122 |
| Cube: | 6.52 |
| 01395 Adder | |
| Weight: | 96 |
| Cube: | 6.52 |

Fixed Height: 29"

| | |
|----------------------|-------------|
| 01307 Starter | |
| Weight: | 122 |
| Cube: | 6.74 |
| 01317 Adder | |
| Weight: | 96 |
| Cube: | 6.74 |



Click on any photo to enlarge!



Print this page!

Color Choices

Add color suffix to model number

The lower adjustable leg insert is always chrome on adjustable height models..

Other color combinations available upon request.

| Specify Suffix | Panels & Shelf | Work Surface | Rail System | Corner Post Legs |
|-----------------------|---------------------------|---------------------|--------------------|-------------------------|
| A | OAK | SAND | SAND | CHROME |
| C | GREY NEBULA | GREY NEBULA | BLACK | CHROME |
| D | GREY NEBULA | GREY NEBULA | BLACK | BLACK |

| | | | | |
|----------|--------|--------|-------|--------|
| E | OAK | OAK | BLACK | CHROME |
| F | OAK | OAK | BLACK | BLACK |
| G | CHERRY | CHERRY | BLACK | BLACK |
| I | CHERRY | CHERRY | BLACK | CHROME |



Medium Oak



Wild Cherry



Grey Nebula

Actual colors may vary

Product Specifications - Modular Computer Carrel Series

Surface and Panels

Are 3/4" thick solid core construction in low glare melamine laminate with PVC edge banding. Includes 7 1/2" deep x 35 1/2" wide shelf. Panels feature special fasteners for strong, easy assembly. Work surface includes a 3" wiring grommet in the back left corner. Panels are 24" high, top of panel is 20 1/4" above the work surface.

Frame

Consists of full-perimeter rail system with corner post legs. Rails are formed 14-gauge steel, 1 3/4" high, with baked on epoxy powder finish. Fixed height legs: 1 1/4" square 14-gauge steel tubing. Adjustable legs are 1 1/4" square, 14-gauge steel tubing with adjustable inserts of 1" square, 14-gauge steel tubing. Legs have chrome finish or black baked on epoxy powder finish and 1" adjusting leveling glides to level modular carrel. Ships ready to assemble.

Accessories for Modular Computer Carrels



(A)



(B)



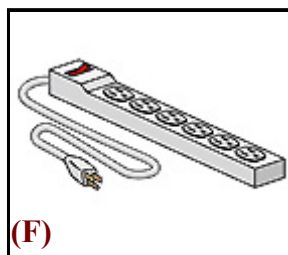
(C)



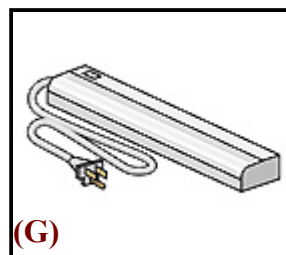
(D)



(E)



(F)



(G)



(H)



| Model | Accessory Description | Wt. | Cube |
|------------------|---|-----|------|
| (A) 01526 | Set of (4) ADA 25"-35" Leg Inserts | 6 | .05 |
| (B) 01527 | 25-1/2"W x 11-3/4"D Keyboard/Mouse Tray | 11 | 1.30 |
| (C) 01528 | Set of (4) 3" Swivel Casters/2 Locking, must be used with Adj. Height Legs (Adj. Ht. 29"-32") | 1 | .04 |
| (D) 01531 | CPU Holder for 24" or 30" deep units - adjustable to any size CPU | 7 | .65 |
| (E) 01530 | 20"W x 11-3/4"D Keyboard Tray | 10 | 1.11 |
| (F) 01650 | 6 Outlet Surge Protected Power Strip | 2 | .10 |
| (G) 01651 | 15 Watt Fluorescent Light Fixture | 4 | .16 |
| (H) 01654 | Wire Management Tray for Carrels | 7 | .36 |
| (L) 01532 | Power Module w/ 10' Power Cord | 2 | .10 |

Info & Support: info@smithcarrel.com

[Home](#)

Sales: sales@smithcarrel.com

© 2008-15 Smith Carrel, Inc. All rights reserved. **Terms of Use**
 (NOTE: Computers and related equipment and photo props are not included.)