

# SMITH CARREL, INC.

Call Toll Free 1-877-410-6994 or Fax 972-272-7208

## Pedestal Base Carrel



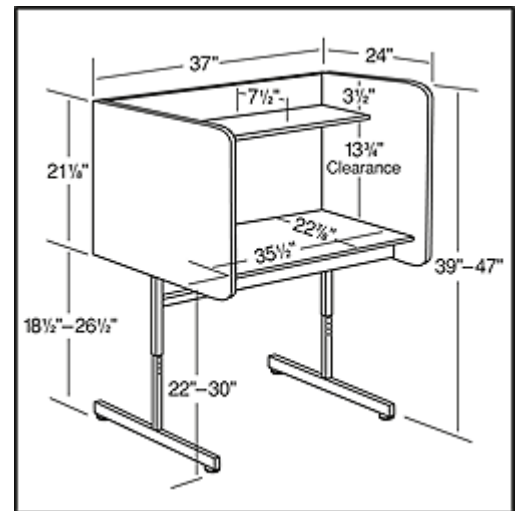
**Shown: Model #01700E Pedestal Base Carrel in Medium Oak**



Click on any photo to enlarge!



**Print this page!**



**Pedestal Base Carrel Dimensions**

**Overall: 24\"D x 37\"W**



**Shown: Model #01700C Pedestal Base Carrel in Grey Nebula Finish**

Freight Class: 70  
 Shipping Location: 75042

**Adjustable height work surface  
 22" to 30"**

**MODEL NUMBERS**

<b>01700 Pedestal Base</b>	
Weight:	<b>107</b>
Cube:	<b>6.76</b>



Click on any photo to enlarge!



**Print this page!**

**ALL PEDESTAL BASE STUDY CARRELS ARE  
 AVAILABLE AS A STARTER UNIT ONLY!**



**Model #01700J Pedestal Base Carrel in Oak / Black  
 Frame / Sand Surface**



**Model #01700G Pedestal Base Carrel in Wild Cherry / Black Frame**

**Color Choices**

*Add color suffix to model number*

The lower adjustable leg insert are always chrome on adjustable height models.

Other color combinations available upon request.

Specify Suffix	Panels & Shelf	Work Surface	Rail System	Upper Pedestal
<b>C</b>	GREY NEBULA	GREY NEBULA	BLACK	BLACK
<b>E</b>	OAK	OAK	BLACK	BLACK
<b>G</b>	CHERRY	CHERRY	BLACK	BLACK
<b>J</b>	OAK	SAND	BLACK	BLACK



**Medium Oak**



**Wild Cherry**



**Grey Nebula**

*Actual colors may vary*

## Product Specifications - Pedestal Base Carrel Series

### Surface and Panels

Are 3/4" thick solid core construction in low glare melamine laminate with PVC edge banding. Includes 7 1/2" deep x 35 1/2" wide shelf. Panels feature special fasteners for strong, easy assembly. Work surface includes a wiring grommet in the back left corner. Panels are 21 1/8" high, top of panel is 17 1/2" above the work surface.

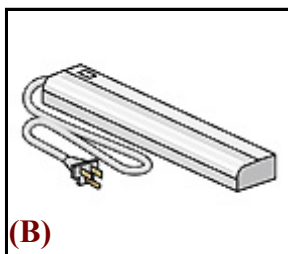
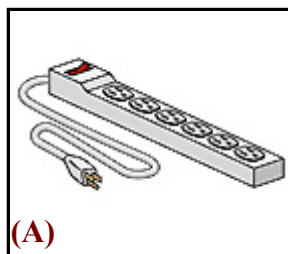
### Frame

Consists of full-perimeter rail system. Rails are 14-gauge formed steel, 1 3/4" high, with baked-on epoxy powder coat finish.

### Adjustable Pedestal

Upper receivers are formed from 14-gauge steel into a 1 1/4" x 2 1/4" rectangle x 12" long and mig welded. A 12-gauge gusset is formed and mig welded to this receiver tube to accept the stabilizer bar. This receiver is then mig welded into the full-perimeter rail system, which serves to stabilize the unit. A 1 1/4" square x 16-gauge steel tube stabilizer bolts between the upper pedestals 6" below the work surface with four 3/8" bolts. All of the parts above are finished with baked on epoxy powder. Chrome plated bases are manufactured from 1 x 2 x 16-gauge cold rolled tubing. The 2" horizontal mig welded joint between the vertical and horizontal tube is to be ground flat and polished smooth before chrome plating. Glides are 1 3/8" nickel plated adjustable height with nylon base for a level and secure footing. Ships ready to assemble.

## Accessories for Pedestal Base Carrels



<b>(A) 01650</b>	6 Outlet Surge Protected Power Strip	2	.10
<b>(B) 01651</b>	15 Watt Fluorescent Light Fixture	4	.16
<b>(C) 01654</b>	Wire Management Tray for Carrels	7	.36
<b>(L) 01532</b>	Power Module w/ 10' Power Cord	2	.10

Info & Support: [info@smithcarrel.com](mailto:info@smithcarrel.com)

[Home](#)

Sales: [sales@smithcarrel.com](mailto:sales@smithcarrel.com)

© 2008-15 Smith Carrel, Inc. All rights reserved. **Terms of Use**  
(NOTE: Computers and related equipment and photo props are not included.)